



Founded 1979 Incorporation No A6677 P.O. Box 692, Shepparton 3632

Repeaters VK3RGV Freq: 53.725MHz (1 meg offset), 146.65MHz (IRLP Node #6992, and Echolink active.) (600 kHz offset), 439.775MHz (5 MHz offset), 438.2MHz (D-Star) [D-Star not operational at this time on Mt Wombat] Access to the analog repeaters is by sub-audible 123 Hz tone or noise mute (less sensitive). Club Network informal on air get togethers. All welcome. Club callsign VK3SOL:-

Wednesday evening - 3.62 MHz ± interference 7.00pm, 2mx repeater 8.00pm

The local vintage radio club has a get together at 11.00am of a Sunday on the 2 metre repeater. Many of their club members are members of SADARC too, so join in for a chat.

Meetings are held at 1pm on the first Saturday of the month (except January when no meeting occurs) at the Mooroopna Scout/Guide Hall off Echuca Road, Mooroopna. Variations in these times and days are normally notified in the preceding newsletter.

Website - www.sadarc.org

DISCLAIMER. No guarantee is given as to the accuracy of information in this newsletter. Warning: - There is a danger of electrocution or injury when working on electrical/radio gear. You do so at your own risk.

President:- Peter Rentsch VK3FPSR pages.cobram@bigpond.com
Secretary:- Andy Ashley VK3AJA andyashley@icloud.com
Vice-President:- Barrie Halliday VK3KBY Treasurer: - Ron Burns
VK3COP
Membership Sec: - Pat O'Shannessy VK3OV Webmaster: - Steven Hamer
VK3DP
Station Manager: - Vacant Publicity Officer: - Vacant
Technical Committee: - Phil VK3ELV, Ray VK3RW, Geoff VK3ZNA, Kevin VK3BPH & Rodney VK3UG
Newsletter:- Rodney VK3UG (Editor) rodlynn6@bigpond.com & AndyVK3AJA (Printing/
Distribution)

MINUTES FOR MEETING 30TH APRIL

Meeting Commenced 1.05pm.

President - Peter Rentsch, Treasurer - Ron Burns , Stand in Secretary - Rodney Champness

- In attendance - John VK3PXJ, Huntly VK3ZE, Alan VK3FALN, Geoff VK3ZNA, John VK3KJB, Jason Jones VKFNQS, Bruce VK3FBNG, Kevin VK3BPH, Peter VK3FPSR, Ron VK3COP, Neil VK3XNW and Rodney VK3UG.
- Apologies - VK3AJA, VK3GEB, VK3NQS, VK3HEN, VK3KMF and VK3AO.
- Minutes of the previous meeting were read. Jason moved that they be accepted, seconded by Huntly and carried by the meeting.
- No correspondence in and no correspondence out.
- Ron presented the financial statement. Ron moved that it be accepted, it was seconded by Kevin and carried. The club is in a comfortable financial position.
- Rodney gave a report on the repeaters. All repeaters other than D-Star operating satisfactorily. The has enquired on Paul Watters when the antenna work to transfer the antennas from the lattice mast to the new self supporting tower is to occur. Paul will be away overseas and expects that it will not occur before mid May. **(See later comments)** They are also waiting on the supply of antennas from ARV. Some members will need to be on site when this work occurs so that minimal disruption of our services occurs. The fit out of the hut is another part of the project.
- Geoff gave a report on the club room antennas. We need a key to the mounting pole enclosure **(since obtained)** and he has made an approach about the testing of the pole.
- Geoff (along with several other club members) is/are looking at practical methods of making and tuning magnetic loop antennas for the various HF bands (particularly) for receiving as many are experiencing high noise levels on HF bands. Mark VK3KMF is interested assisting in developing suitable reproducible loop antenna kits particularly the tuning capacitor that is required due to the high voltages that occur in the capacitor. Geoff is looking at using LDF4-50 cable as the basis for quite a bit of the antenna. We'll hear more later on. Magnetic loop antennas pick up less noise than horizontal antennas and even less noise than vertical antennas.
- Bruce has contacted the Echuca Steam Rally committee about the club attending and putting on a display at their June 11th 12th Rally at Echuca. The Steam Rally committee are quite keen for the club to participate and have stated to Bruce some of the facilities they can provide. We may need to supply a low noise alternator to power our equipment or if we are not going to use much power a bank of 12 volt batteries. Several members have indicated they can assist all being well, being VK3PXJ, VK3FBNG, VK3HEN, VK3FALN, VK3BPH and VK3AJA. The final contingent of people will be decided at the next meeting as well as what displays the club can provide. The local Vintage Radio Club (many of our members are also members of the vintage radio club) are welcome to participate with SADARC. We'll need to see check with them so that our displays complement each other. It is necessary to contact Denis Leseberg the secretary of the Vintage Radio Club to work out details. Bruce is the contact person for this display.
- Michael VK3FMAA would like the club to consider taking part in the Keith Roget Memorial Parks Award which will take place in March next year. Keep this in mind for that time.
- The Hamfest is due in September. The add for **Amateur Radio** needs to be prepared and ready to go into the month selected as most suitable for the club. The Hamfest committee needs more people as it was left to too few to organise. We had a good number assist on the day. This is our main financial source for the club. The availability of our food providers at the Hamfest need to be confirmed. They are a very important part of the hamfest.
- There were five members who attended the Examination Training day on 3rd of April. They were Huntly VK3ZE, Alan VK3AO, Geoff VK3ZNA, Andy VKAJA and Peter VK3FPSR. They have been approved to be examiners and assessors (Peter cannot take this position up until he gets a higher grade licence). All passing this training session and willing to do the job of

examining or assessing needs to be a WIA member and have a Working with Children card. It is expected that soon the club will be able to do training and take people for exams.

- Subs will be due in July, with information received on members (where permitted) that can be made available so that members can contact one another more easily.
- There is an APP for Apple and Android that is available that can tell amateurs where and how far away members are from repeaters within around a 100km radius.
- A publicity blurb has been produced that will be sent out to all amateurs in our area of influence in due course encouraging them to become members of the club. It has also been suggested that a different poster be drawn up to be placed in electronics stores encouraging non amateurs to check us out. This was moved by Kevin and seconded by Geoff, carried.
- Jason reported that there is a problem with the IRLP putting our repeaters ident onto other repeaters world wide which is not permitted. Jason will take this up with Kane.
- **June 4th 1 pm meeting - Nick VK3ANL will give a talk on awards available via the WIA.**

The meeting closed at 2pm, .

Presidents Report May 2016

Thanks to all those who attended our last meeting. As you are aware a working bee was held to start updating and repairing our Club Station, specifically the antennas. The technical committee have got on with the job and progress is being made. Rodney has given us a more detailed summation in his report. I am really happy with the fact that after an extended period of time we are finally getting on with the job of building ourselves a good Club station.

Thanks to the members who got the BBQ fired up so as we could all enjoy a hamburger or sausage.

Bruce VK3FBNG has been very busy communicating with the Steam Rally Committee in Echuca organising our involvement on the Saturday and Sunday. For those who don't know we will be setting up a station at the Steam Rally on the Saturday and the Sunday so we will need as many helpers as possible to be there to assist with the setup and then operate the station, promote Amateur Radio and generally have a good couple of days. Please put your thinking caps on to work out how you can assist on the weekend.

We have to finalise arrangements for this day at our next meeting so be prepared. This is a great opportunity for us to highlight Amateur Radio and the enjoyment we receive from it.

At our last meeting we discussed having a membership list available for all members who wish to have it. Prior to this we need to obtain your approval to show you details on a list that will only be distributed to other members. The upshot of this is that when your membership renewal form goes out with the next newsletter it will have a tick box on it so as you can opt in to have your name and address circularised to other members. I think that this is a good idea as it lets other people know who our members are and it will be particularly beneficial to new members.

At our next meeting I have arranged for Nick VK3ANL to be our guest speaker. Nick is a keen activator in collecting many of the different awards that are available and he will talk to us about the many awards that are available and what you need to do to qualify for these awards.

That's it for me this month and I look forward to seeing as many of you as possible for the next meeting.

Cheers & 73 Peter – VK3FPSR President – SADARC

SADARC Calendar of Events

June 4 th	Club Meeting with Guest Speaker VK3ANL Nick Lock, Radio Awards		
July 2 nd	Club Meeting with Guest Speaker VK3ALB Lou Blasko, 3.4Ghz Transverter Project		
August 6 th	Club Meeting	September 3 rd	Club Meeting
September 11 th	SADARC Hamfest		

Vale - Bruce Wilson VK3IG OAM JP 19-9-1940 to 14-5-2016

Whilst Bruce was not a member of our club he was active from time to time on the HF bands. His amateur radio activity was fitted in between his many community activities which were many as were spoken of at his funeral on the 23rd of this month. Perhaps as far as radio goes his position of OIC Radio Australia at Shepparton during many years of change both political and technical is better known by many.

Members away from Shepparton may know little of Bruce's achievements. He was a councillor and later a mayor at Shepparton. Many of the organisations he was involved with he held committee positions in he didn't sit in the back row at meetings, he was very much a doer. He learnt flying, he was involved in the Historical Society, he was compiling the history of Shepparton, he was a Bail Justice and worked with the police as required, instigated Carols by Candlelight, Rotary, he presented around 250 segments on 31 FM on the history of Shepparton. Politically he was heavily involved in the National Party. He even learnt Spanish after visiting South America. These items are but a snippet of his interests as so many who attended his funeral heard, and we didn't hear all of them. The comment was how did he fit so much into his life. There will be more tributes to Bruce in other publications.



Editors Ramblings

It was found once again that the side door was ajar when we arrived at the club rooms. At about 10.30 am 30th April, Geoff, Kevin and Rodney rolled up to the club rooms to do some work on the wire antennas at the club rooms with others arriving soon afterwards. A discussion was held as to what we should do to the antennas and how best to tackle the task. A BBQ lunch was held from just after noon which was enjoyed by all.

Prior to the meeting and BBQ, some work was done on the antennas and following the meeting Geoff, Kevin and Rodney did some more work on the antennas systems removing all the wire antennas. It was necessary to remove the ropes holding the ends of the antennas as they were ringbarking the tree branches. Geoff will be testing the baluns and generally checking the antennas. Maybe they will be up before the next meeting. The final outcome will depend upon the report of the pole condition.

A list of amateurs in the area that the club covers is being prepared with a invitational letter to be sent out encouraging those who may have been members to rejoin us and those who never have been members encouraging them to join us.

I have spoken to Andrew Meachen today (25th) re progress with the transfer of antennas from the lattice tower at the Mt Wombat repeater site to the new self supporting tower. He is hopeful that this will be done before the end of the financial year.

The latest innovation for mobile antenna mounts.



Huntly VK3ZE saw this installation recently in a Shepparton car park. It is a novel way of mounting an antenna on the tow bar of your car using a large ring spanner. How well it works we don't know. Is the installation for 27 MHz CB or HF amateur bands? The earth path is the main concern.

It could be interesting to see what ways various amateurs do mount their mobile HF antennas on their vehicles. Personally I have found with a station wagon type vehicle that for best performance the antenna needs to be mounted on the front of the vehicle as the bulk of the rear of the vehicle tends to drop the antenna efficiency. Any comments?

IRLP

In this final chapter on IRLP we will look at how the procedure actually works and what are the mechanics behind it as well as some additional comments on the use of IRLP.

You may recall in the last article I spoke about Nodes and Reflectors. Nodes allow connection from one person to another via their local Node. Reflectors allow connection from your Node to many Nodes. IRLP etiquette asks that if you are talking to a person for a period of time that you use their local Node and not the Reflector. This frees up the Reflector for others to use and it also reduces the workload on the Computers handling the communication.

Just as an aside issue there is a IRLP Net held each day out of the USA. Anybody is welcome to call in. It is very well managed as they ask for calls from different areas of the USA, then Canada and South America, then Europe, then Asia, then Australia and New Zealand finishing with any other areas not covered. You need plenty of time because the whole thing takes about three hours and it means that you are connected to IRLP for that length of time. I joined in once and I was well received.

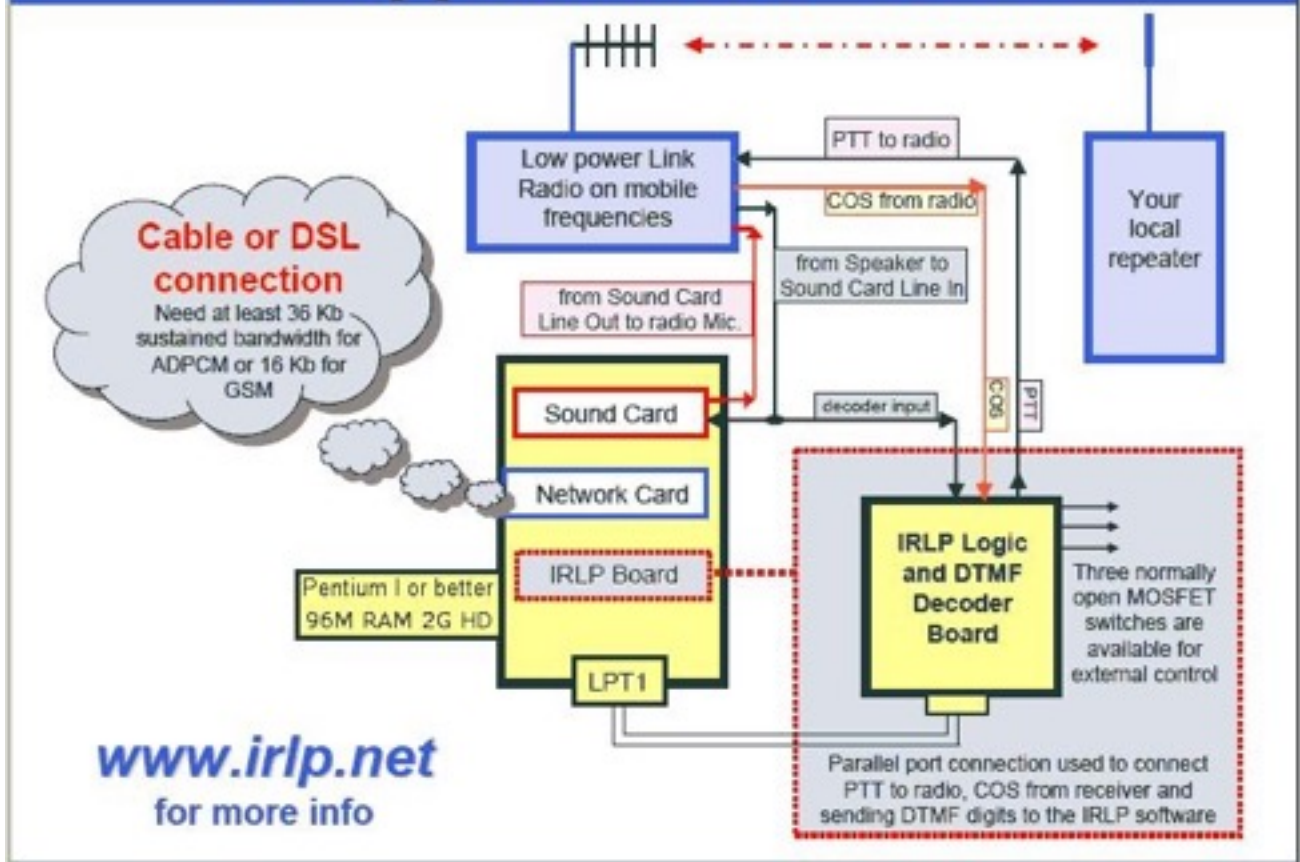
Another item of if interest in regard to IRLP is Google Earth. By down loading a link to Google Earth from the IRLP web site you can see once you load Google Earth what Nodes are connected at given time. It also shows you what Nodes are connected to what Reflectors. It updates every five minutes so as you see who is connected. It does not give the call sign of who is connected, just the Node number.

In simple terms the following explains the process. The system starts by receiving audio into a radio that has been modified to interface with a computer (using the IRLP interface board). When a signal is received by the radio, the Carrier Operated Squelch (COS) state changes. This change is then sent to the interface board, which tells the computer that the COS line is active. This change is picked up by the IRLP software and the computer starts sending a packet stream containing the audio from the receiver.

This audio is picked up by the connected computer(s) and played out the sound card. The IRLP software detects the incoming packets and sends a PTT signal to the link radio. Hence the audio from one end is heard on the other.

The following diagram explains the processes in a graphical format.

A Typical IRLP Node



I hope this illustrate how IRLP operates. I enjoy using it and have made a number of contacts overseas. I regularly contact a Node in London and chat to somebody over there who has now become a friend. I could not do this on HF whenever I wanted to but I can using IRLP.

If you wish to find out more information about IRLP there are two good web sites to use. The first one is:

www.irlp.net. This site gives you all the information you need to use IRLP. If you are into more of the technical aspects of IRLP or require some inside knowledge on troubleshooting then I suggest you look at <http://garymcduffie.com/irlp/>. The Yahoo group for IRLP web site is also very helpful when there is a problem to be solved.

That's it for this series of articles. I hope you have found them useful.

Cheers & 73
Peter VK3FPSR

I wish to acknowledge the www.irlp.net web site for much of the information contained in these three articles.